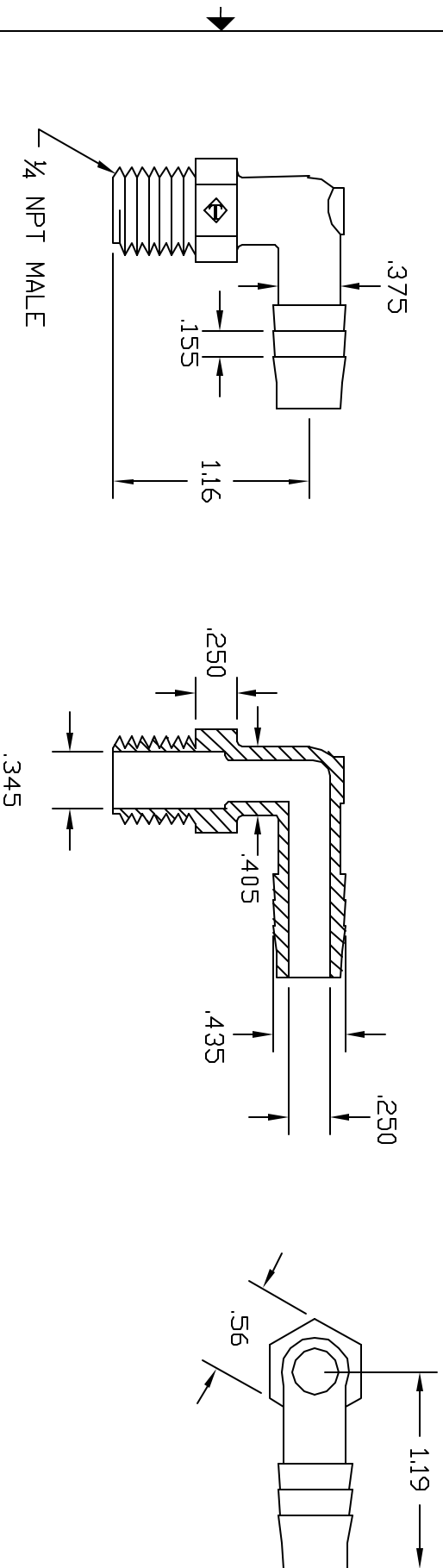


REVISIONS			
REV	DESCRIPTION	DATE	APPROVED
A	REDRAWN & RELEASED	9/97	9/97
B	Corrected Dim. .250 was .300 and added .281	7/99	7/99
C	MODIFY BARBS	12/02	12/02



CONTROLLED DOCUMENT
ONLY IF IN RED

UNLESS OTHERWISE SPECIFIED
DIMENSIONS ARE IN INCHES
TOLERANCES ARE:
XX +/- .05
XXX +/- .015

THIS PRINT AND THE SPECIFICATIONS
ARE THE PROPERTY OF THOGUS
PRODUCTS COMPANY AND HAVE BEEN
ISSUED WITH THE UNDERSTANDING THAT
THEY ARE TO BE USED FOR THE
MANUFACTURE OF THE PARTS AND WILL
BE RETURNED UPON REQUEST.

CONDOMINIUM
UNLESS OTHERWISE SPECIFIED
DIMENSIONS ARE IN INCHES
TOLERANCES ARE:
XX +/- .05
XXX +/- .015

DRAWN NM DATE 9/97
CHECKED 2046N
MATERIAL NYLON

Part Name
1/4NPT X 3/8 BARB ELBOW

THOGUS PRODUCTS
33490 PIN DAK PARKWAY
AVON LAKE OHIO 44012

Part Number
TE2046/N

SCALE 1:1

SHEET 1 of 1

REV C