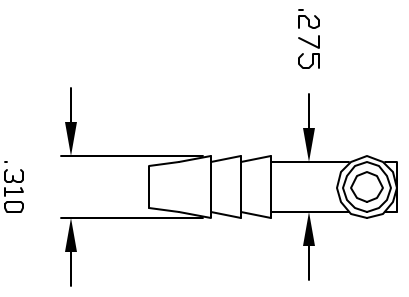
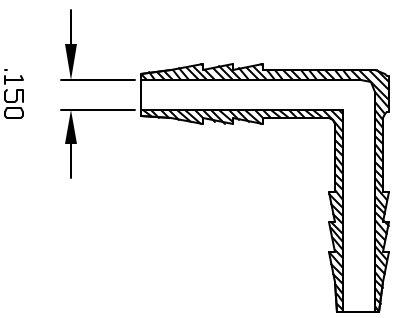
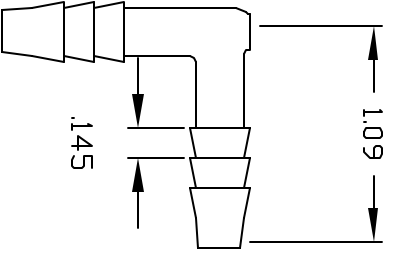


REVISIONS

REV	DESCRIPTION	DATE	APPROVED
A	DRAWN AND RELEASED	9/96	
B	Add Gate Pade change dimensions	7/99	7/99
C	Change drawing to show 5 deg.	7/99	7/99
D	UPDATE DWG	9/00	9/00
E	REDRAWN	10/01	10/01



CONTROLLED DOCUMENT
ONLY IF IN RED

UNLESS OTHERWISE SPECIFIED DIMENSIONS ARE IN INCHES TOLERANCES ARE: DECIMALS .005 FRACTIONS .005		Part Name 1/4 BARB X 1/4 BARB ELBOW	
DRAWN BM	ANALYSIS +/- .10	THOGUS PRODUCTS 33597 PIN DAK PARKWAY AVON LAKE OHIO 44012	
PLAQUE 2044TP	Part Number TE2044-T/P	SCALE	
MATERIAL POLYETHYLENE		SHEET 1	of 1

Small text at the bottom right corner, likely a drawing standard or company reference.