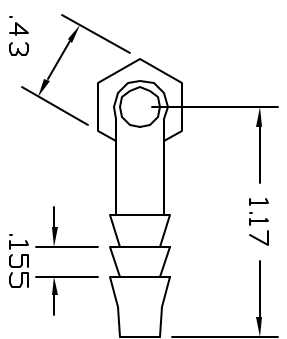
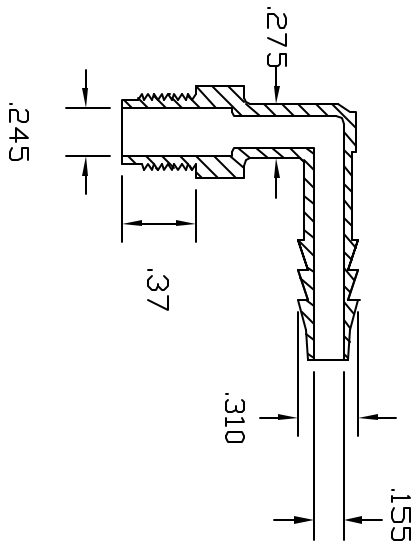
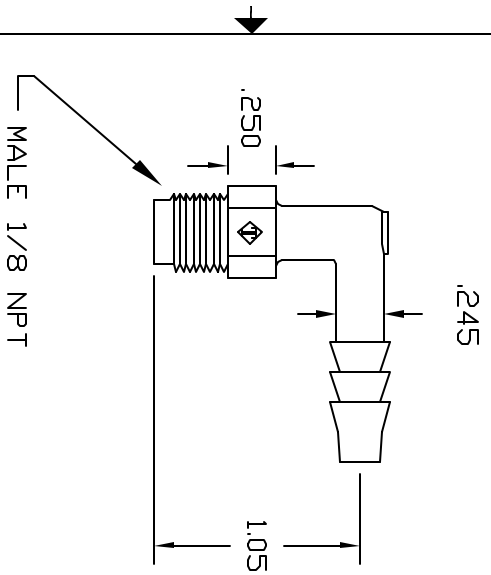


REVISIONS			
REV	DESCRIPTION	DATE	APPROVED
A	REDRAWN & RELEASED	11/97	11/97
B	UPDATE DWG. WITH NEW THREAD TOOLING	5/00	5/00
C	MODIFY BARBS	12/02	12/02



CONTROLLED DOCUMENT
ONLY IF IN RED

COLOR: BLACK (PPB)

NATURAL (PPN)

CONFIDENTIAL
THIS PRINT AND THE SPECIFICATIONS ARE THE PROPERTY OF THOGUS PRODUCTS COMPANY AND HAVE BEEN ISSUED WITH THE UNDERSTANDING THAT IT IS NOT TO BE REPRODUCED, COPIED, REPAIRED, REUSED FOR THE MANUFACTURE FOR OTHERS AND WILL BE RETURNED UPON REQUEST.

UNLESS OTHERWISE SPECIFIED DIMENSIONS ARE IN INCHES		PART NAME	
TOLERANCES ARE:		1/8 NPT X 1/4 BARBED ELBOW	
DECIMAL	FRACTIONS	NATURAL (PPN)	
XX +/- .05	1/16	COLOR: BLACK (PPB)	
XXX +/- .015	1/32	NATURAL (PPN)	
DRAWN		DATE	
NM		11/97	
FOLLOWER		PART NUMBER	
2024PP		TE2024/PP	
MATERIAL		SCALE 1:1	
POLYPROPYLENE		SHEET 1 of 1	
THOGUS PRODUCTS		33490 PIN OAK PARKWAY	
		AVON LAKE OHIO 44012	